

2MP 22x Starlight WDR Network IR Bullet Camera

IPC252ERA-X22DUG



Key Features

Optics

- Starlight illumination
- Accurate and fast focusing
- Smart IR, up to 200 m (656 ft) IR distance
- Up to 120 dB WDR(Wide Dynamic Range)
- Auto day/night functionality
- Optical glass window with higher light transmittance
- IR anti-reflection window to increase the infrared transmittance

Compression

- Ultra 265, H.265, H.264, MJPEG
- Embedded smart algorithm
- Triple Streams
- ROI (Region of Interest)
- 9:16 corridor format
- Customized OSD

Network

- ONVIF Conformance

Structure

Wide temperature range: -40°C to 60°C (-40°F to 140°F)

Wide voltage range of ±25%

IP67

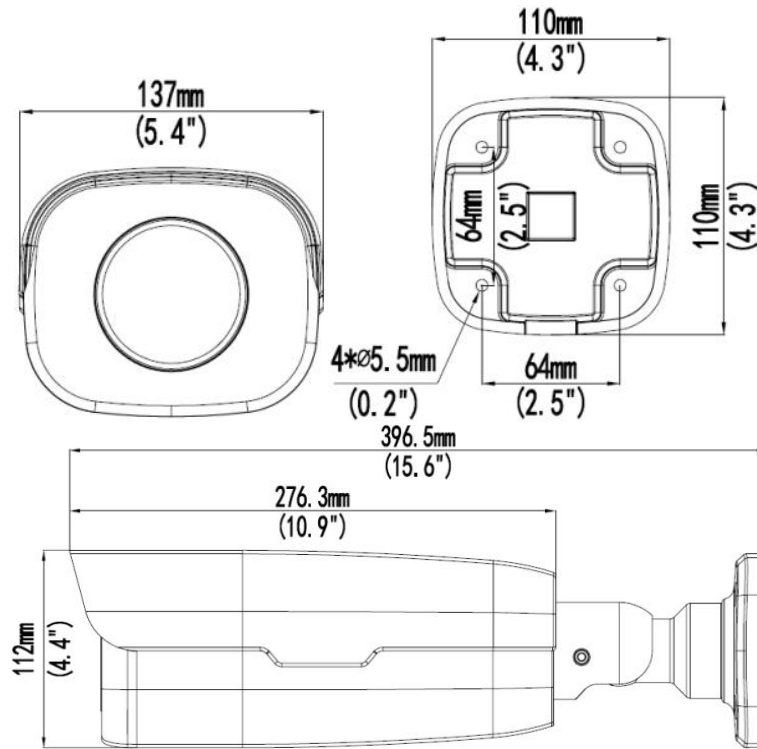
3-Axis

Specifications

| IPC252ERA-X22DUG | | | | | | | | | | | | | | | | |
|-------------------------|--|-----------|------------|--------------|--------------|-------------|-------|----|------|------|-----|-------|------|-------|-------|-------|
| Camera | | | | | | | | | | | | | | | | |
| Sensor | 1/1.8", progressive scan, 2.0 megapixel, CMOS | | | | | | | | | | | | | | | |
| Lens | 6.5~143mm, AF automatic focusing and motorized zoom lens | | | | | | | | | | | | | | | |
| Optical Zoom | 22 | | | | | | | | | | | | | | | |
| DORI Distance | <table border="1"> <thead> <tr> <th>Lens</th> <th>Detect(m)</th> <th>Observe(m)</th> <th>Recognize(m)</th> <th>Identify(m)</th> </tr> </thead> <tbody> <tr> <td>6.5mm</td> <td>78</td> <td>31.2</td> <td>15.6</td> <td>7.8</td> </tr> <tr> <td>143mm</td> <td>1716</td> <td>686.4</td> <td>343.2</td> <td>171.6</td> </tr> </tbody> </table> | Lens | Detect(m) | Observe(m) | Recognize(m) | Identify(m) | 6.5mm | 78 | 31.2 | 15.6 | 7.8 | 143mm | 1716 | 686.4 | 343.2 | 171.6 |
| | Lens | Detect(m) | Observe(m) | Recognize(m) | Identify(m) | | | | | | | | | | | |
| | 6.5mm | 78 | 31.2 | 15.6 | 7.8 | | | | | | | | | | | |
| 143mm | 1716 | 686.4 | 343.2 | 171.6 | | | | | | | | | | | | |
| Angle of view(H) | 59° ~3° | | | | | | | | | | | | | | | |
| Angle of View (V) | 34.6° ~1.6° | | | | | | | | | | | | | | | |
| Angle of View (O) | 72.6° ~3.6° | | | | | | | | | | | | | | | |
| Shutter | Auto/Manual, 1~1/100000 s | | | | | | | | | | | | | | | |
| Minimum Illumination | Colour: 0.001 Lux (F1.5, AGC ON) 0 Lux with IR | | | | | | | | | | | | | | | |
| Iris | Auto/Manual, F1.5~F3.4, DC-Iris | | | | | | | | | | | | | | | |
| Day/Night | IR-cut filter with auto switch (ICR) | | | | | | | | | | | | | | | |
| Digital noise reduction | 2D/3D DNR | | | | | | | | | | | | | | | |
| S/N | >52 dB | | | | | | | | | | | | | | | |
| IR Range | up to 200 m (656 ft) IR range | | | | | | | | | | | | | | | |
| Defog | Digital Defog | | | | | | | | | | | | | | | |
| WDR | 120dB | | | | | | | | | | | | | | | |
| Video | | | | | | | | | | | | | | | | |
| Video Compression | Ultra 265, H.265, H.264, MJPEG | | | | | | | | | | | | | | | |
| H.264 code profile | Baseline profile, Main Profile, High Profile | | | | | | | | | | | | | | | |
| Frame Rate | Main Stream: 2MP (1920×1080): Max. 60 fps; Sub Stream: 2MP (1920×1080): Max. 60 fps; Third Stream: D1 (720×576): Max. 60 fps | | | | | | | | | | | | | | | |
| 9:16 Corridor Mode | Supported | | | | | | | | | | | | | | | |
| HLC | Supported | | | | | | | | | | | | | | | |
| BLC | Supported | | | | | | | | | | | | | | | |
| OSD | Up to 8 OSDs | | | | | | | | | | | | | | | |
| Privacy Mask | Up to 8 areas | | | | | | | | | | | | | | | |
| ROI | Up to 8 areas | | | | | | | | | | | | | | | |

| | |
|----------------------------|--|
| Motion Detection | Up to 4 areas |
| Smart | |
| Behavior Detection | Intrusion, cross line, motion detection |
| Intrusion | Enter and loiter in a pre-defined virtual region |
| cross line | Cross a pre-defined virtual line |
| motion detection | Moving within a pre-defined virtual region |
| Recognition | Face detection、Audio detection |
| Intelligent Identification | Defocus, Scene Change, Object Left, Object Moving |
| Statistical Analysis | People counting |
| General Function | Watermark, IP Address Filtering, Tampering Alarm, Alarm input, Alarm output, Access Policy, ARP Protection, RTSP Authentication, User Authentication |
| Audio | |
| Audio Compression | G.711 |
| Two-way audio | Supported |
| Suppression | Supported |
| Sampling Rate | 8 KHZ |
| Storage | |
| Edge Storage | Micro SD, up to 256 GB |
| Network Storage | ANR |
| Network | |
| Protocols | IPv4, IGMP, ICMP, ARP, TCP, UDP, DHCP, PPPoE, RTP, RTSP, RTCP, DNS, DDNS, NTP, FTP, UPnP, HTTP, HTTPS, SMTP, 802.1x, SNMP |
| Compatible Integration | ONVIF(Profile S, Profile G, Profile T),API |
| Interface | |
| Audio I/O | Audio cable |
| | 1 Input: impedance 35 kΩ; amplitude 2 V [p-p] |
| | 1 Output: impedance 600 Ω; amplitude 2 V [p-p] |
| Alarm I/O | 2/ 1 |
| Serial Port | 1 RS485 |
| Network | 1 RJ45 100M Base-FX SFP+100M Base-TX Ethernet |
| Video Output | 1 BNC, impedance 75 Ω; amplitude 1 V [p-p] |
| General | |
| Power | 24 V AC ±25% |
| | Power consumption: Max 21W |
| Dimensions (L × W × H) | 396.5 × 137 × 112mm (15.6" ×5.4" ×4.4") |
| Weight | 3.7 kg (8.2 lb) |
| Working Environment | -40°C ~ +60°C (-40°F ~ 140°F), Humidity ≤ 95% RH(non-condensing) |
| Ingress Protection | IP67 |
| Reset Button | Supported |

Dimensions



Zhejiang Uniview Technologies Co.,Ltd.

South Tower, Building 10, Wanlun Science Park, 88 Jiangling Road, Hangzhou, P.R.China 310051

Email: overseasbusiness@uniview.com; globalsupport@uniview.com

<http://www.uniview.com>

©2016-2018 Zhejiang Uniview Technologies Co.,Ltd. All rights reserved.

*Product specifications and availability are subject to change without notice.